

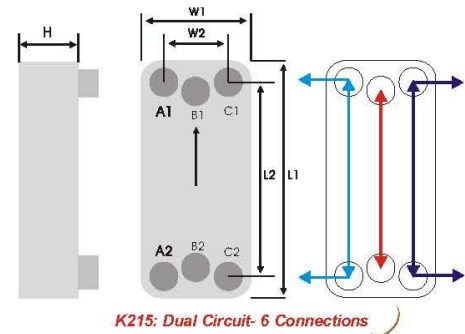
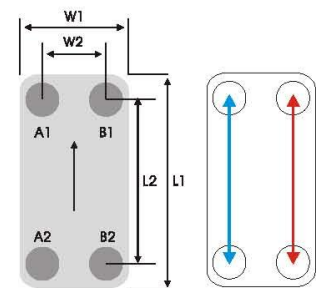
Plate Heat Exchanger

T PLATEB K

K series-standard brazed plate heat exchanger



K series is the series with the most complete range in sizes and widely used in various applications.
(Note: K***S: 45 bar, K215: Dual Circuit- 6 connections)
Main application: HVAC, heat pump, chiller, oil cooler, processing cooling and heating.



Brazing Material	Copper	Copper (Extra Strength)	Nickel
	(A1,A2/B1,B2)		
Max. Working Pressure (bar)	30/30	45/30	10/10
Min. Test Pressure (bar)	43/43	65/43	15/15
Max. Working Temperature (°C)	200 °C		

Tempco Model	L1 (mm)	L2 (mm)	W1 (mm)	W2 (mm)	Weight (kg)	H Thickness (mm)	Heat Transfer Area (m ² /plate)	Total Heat Transfer Area (m ²)	Volume (liter/channel)	Total Volume (liter)
100	205	172	73	42	0.81+0.04x(N-1)	8+2.27x(N-1)	0,0120	(N-2)x0.0120	0,025	(N-1)x0.025
300	194	154	80	40	0.8+0.05N	10+2.25N	0,0117	(N-2)x0.0117	0,025	(N-1)x0.025
500	311	278	73	40	0.84+0.07N	10+2.3N	0,01946	(N-2)x0.01946	0,040	(N-1)x0.040
800	306	250	106	50	1.5+0.135N	10+2.4N	0,0255	(N-2)x0.0255	0,055	(N-1)x0.055
900	304	250	124	70	1.6+0.15N	10+2.4N	0,0300	(N-2)x0.0300	0,065	(N-1)x0.065
1500	522	466	106	50	3.1+0.22N	10+2.4N	0,0475	(N-2)x0.0475	0,095	(N-1)x0.095
1700	504	444	124	64	3.5+0.24N	10+2.4N	0,0533	(N-2)x0.0533	0,107	(N-1)x0.107
2100	613	519	186	92	7.12+0.41N	14+2.4N	0,09446	(N-2)x0.09446	0,206	(N-1)x0.206
2500	528	456	246	174	7.2+0.52N	11.5+2.4N	0,1099	(N-2)x0.10993	0,232	(N-1)x0.232
2700	527	430	245	148	8.5+0.49N	11.5+2.85N	0,1036	(N-2)x0.1036	0,289	(N-1)x0.289
2600	529	449	247	167	7.2+0.52N	13+2.4N	0,1103	(N-2)x0.1103	0,220	(N-1)x0.220

N = number of plates